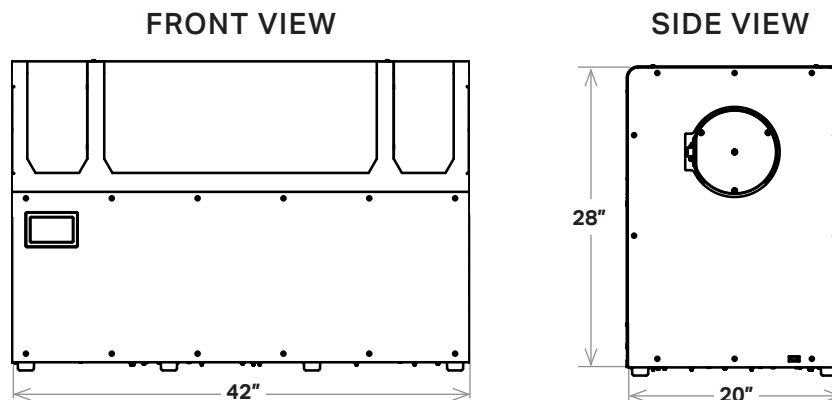


PRODUCT SPECIFICATIONS

Sinter-1

The Markforged Sinter-1 is a high-performing, high-value furnace that is ideal for small batch production. Built on 30 years of Metal Injection Molding (MIM) technology, it's affordable and reliable. Featuring 4,760 cm³ of active hot zone, the Sinter-1 effortlessly converts washed parts into their high-quality dense final metallic form in as few as 26 hours.

Furnace Properties	Materials Supported	Chemically debound Metal X-printed parts
	Heating Element	Kanthal
	Controller	Pre-programmed automatic cycling
	Sinter Run Time	26 hours*
	Peak Internal Temp.	1,300° C / 2,372° F
	Sintering Capacity	Rectangle w/radius top — 141 mm ID x 305 mm L (5.55 in ID x 12 in L)
	Sintering Workload	3,020 cm ³ (184 in ³)
	Sinter Surface Area	348 cm ² (53.9 in ²) for single ceramic setter plate
	Setter Plate Dimensions	11.4cm W x 30.4cm D, (4.5in W x 12.0in D)
	Gas Types	Argon, argon / hydrogen mix
	Retort	High purity refractory retort (carbon-free)
	Safety & Installation	Environmental Req.
Power		200–240 V single phase 36A, recommend wiring 50A
Physical Dimensions	External Dimensions	1,067 x 505 x 720 mm (42 x 20 x 28 in)
	Weight	136 kg (300 lbs)



*May vary by material. **Note:** All specifications are approximate and subject to change without notice.